

Clothes Lockers



Securabike laminate and steel clothes lockers complement our range of bicycle parking products in both style and security.

For work environments, especially in warmer climates, it is important to offer usable bicycle commuter parking with clean and secure locker and shower facilities.

Laminate Lockers

Laminate modular lockers come in a range of aesthetic colours and timber finishes suitable for both retrofit and new installations and are supplied flat packed for ease of transport and assembly. They are available in a number of size configurations to meet cyclists' needs.

Steel Lockers

Steel lockers are suitable for inclusion in any of Securabike's end-of-journey modules, cages or for fitting into existing bicycle parking facilities. They are supplied in sets of 3 in kit form and can be easily snap-assembled.

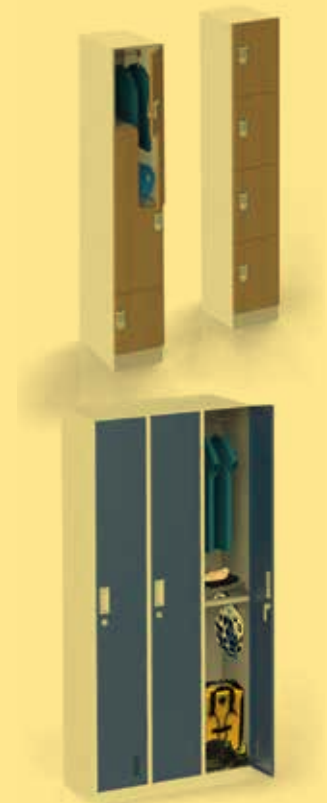


Advantages

- Modular units to suit application
- Stylish design and colours
- Single, and multiple configuration
- Individually secured locking

Applications

- Commercial workplaces
- University and college campuses
- Industrial complexes
- Gymnasiums

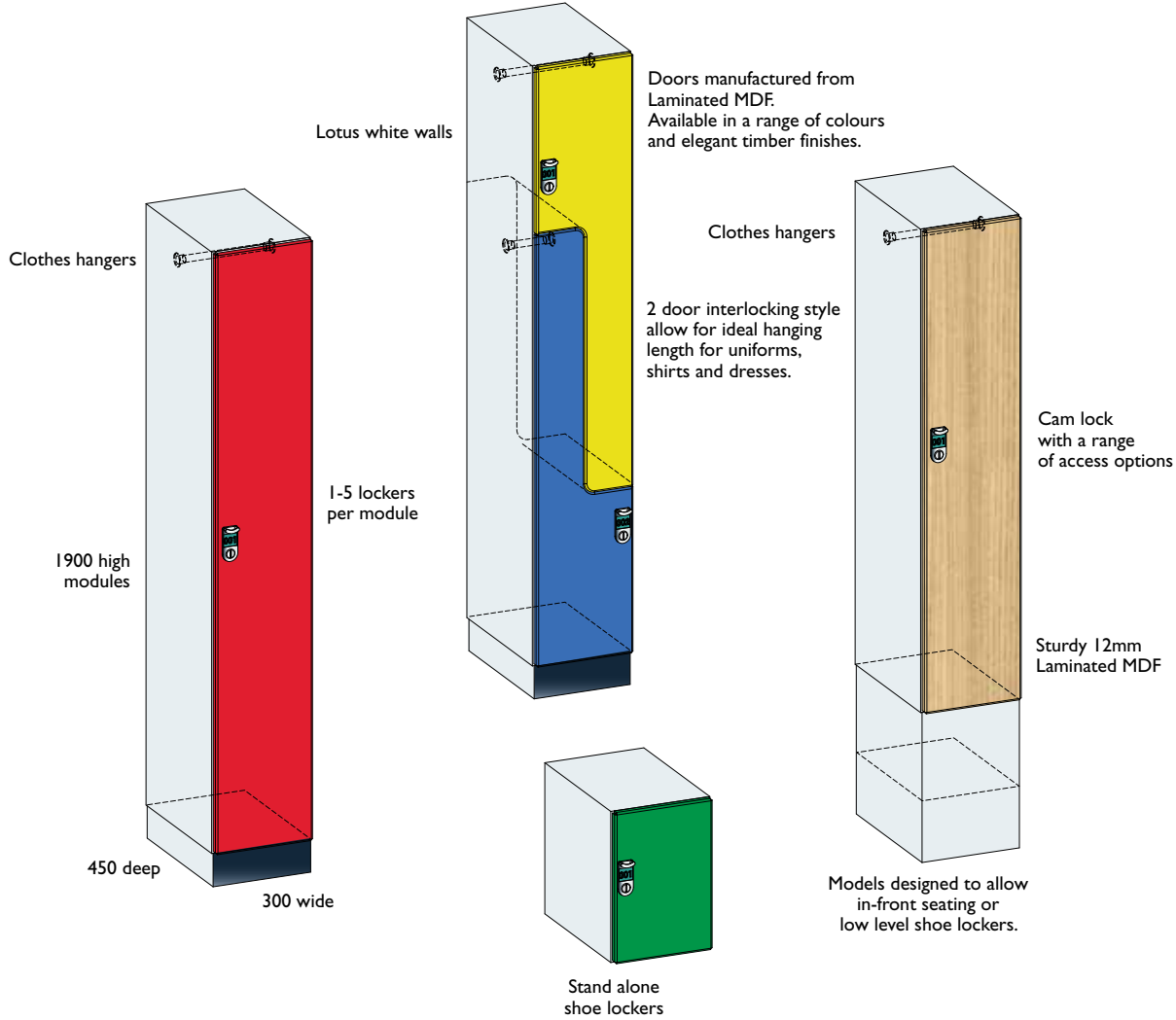


Note – These products do not fall under the scope of AS2890.3.

Clothes Lockers

Laminate Lockers Features

A range of configurations allow for economical use of space while not compromising on room for hanging clothes.



Doors available in a range of colours and elegant timber finishes.
(minimum order quantity 30 units)



Lotus White

Light Gray*

Memphis Red*

Memphis Blue*

Memphis Green*

Chrome Yellow*



Tasmanian Ash*
(Standard)



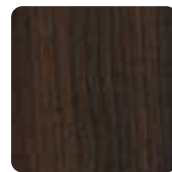
Golden Beech*



Radiant Maple*



Khaya Mahogany*



Prestige Walnut*

*minimum order quantity 30 units

Product Range

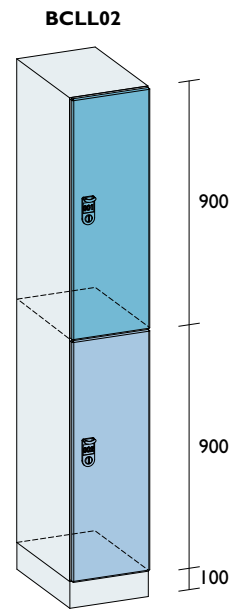
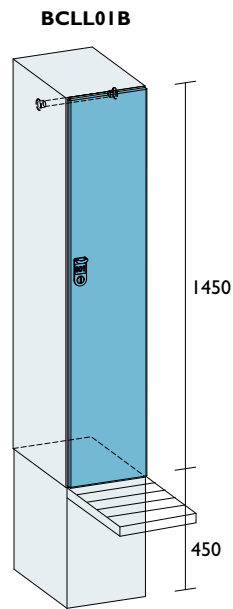
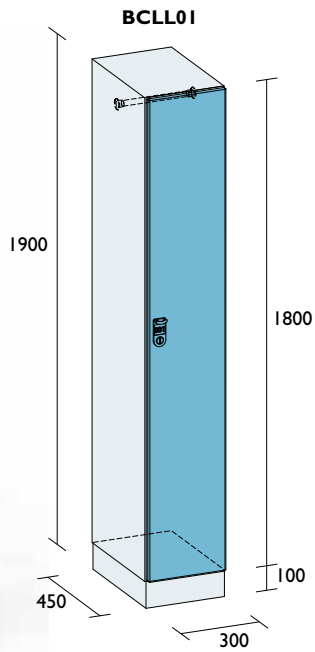
1300 780 450

Introduction	1
Bicycle Facts	4
Design Guide	6
Installation	12
Consulting	13
Security Classes	14
Product Selection	15
PRODUCT RANGE	
Rails	17
Racks	31
Repair Stations	63
End-of-Journey	68
Cages	84
Lockers	88
Shelters	98
Scooters Racks	107
Other Products	112
Clothes Lockers	116
Signage	122
Standards	128
Packaging	129
Index	130

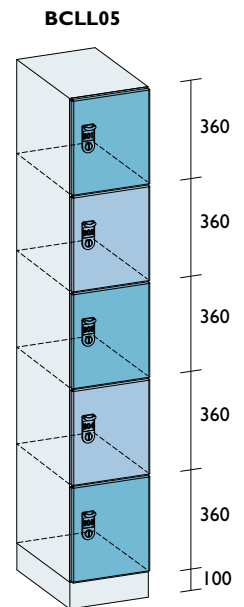
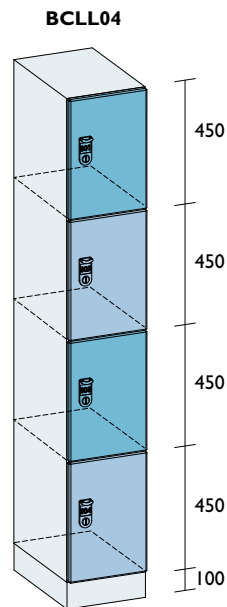
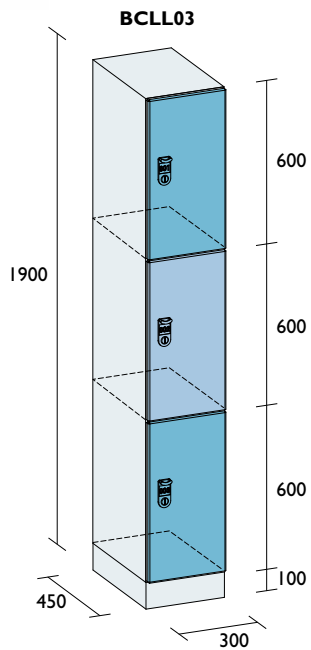
Clothes Lockers

1300 780 450

Laminate Lockers
Standard



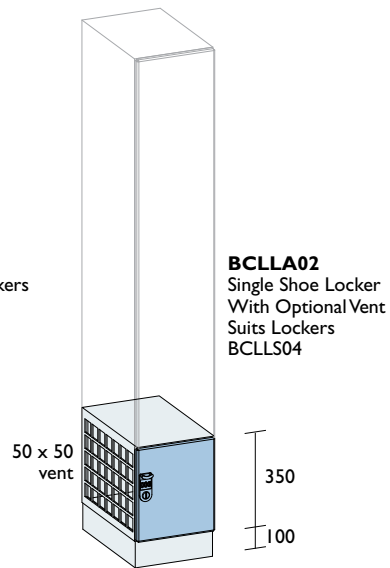
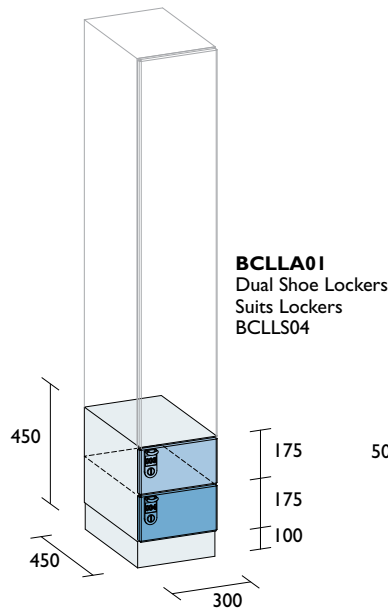
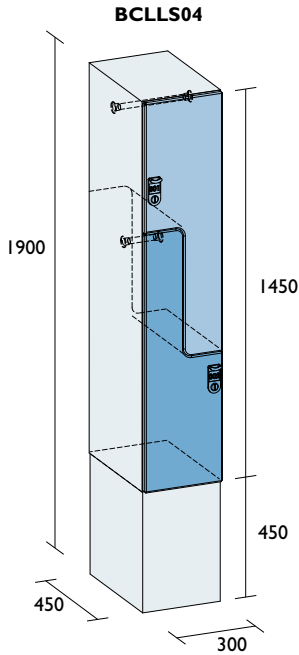
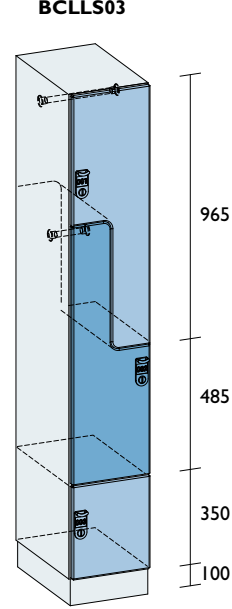
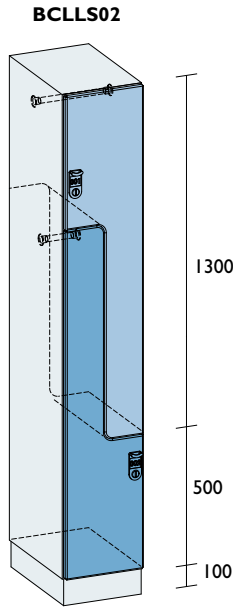
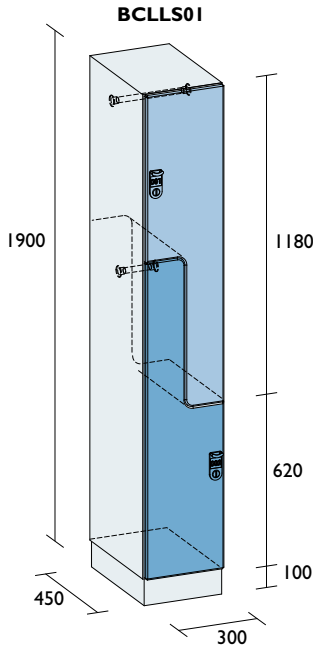
Designed to allow foot lockers BCLLA01 / 02 addition or in-front seating BCLL01B. Refer to *Options & Accessories*.



Clothes Lockers

Laminate Lockers
Staggered

Many cycling commuters, particularly office workers, store work attire at their workplace so lockers with deep hanging space is an important consideration. Staggered lockers provide excellent hanging space to avoid creasing clothes, while maintaining adequate space for apparel such as bicycle helmets.



Designed to allow foot lockers BCLLA01 / 02 addition or in-front seating BCLL01B. Refer Options & Accessories.

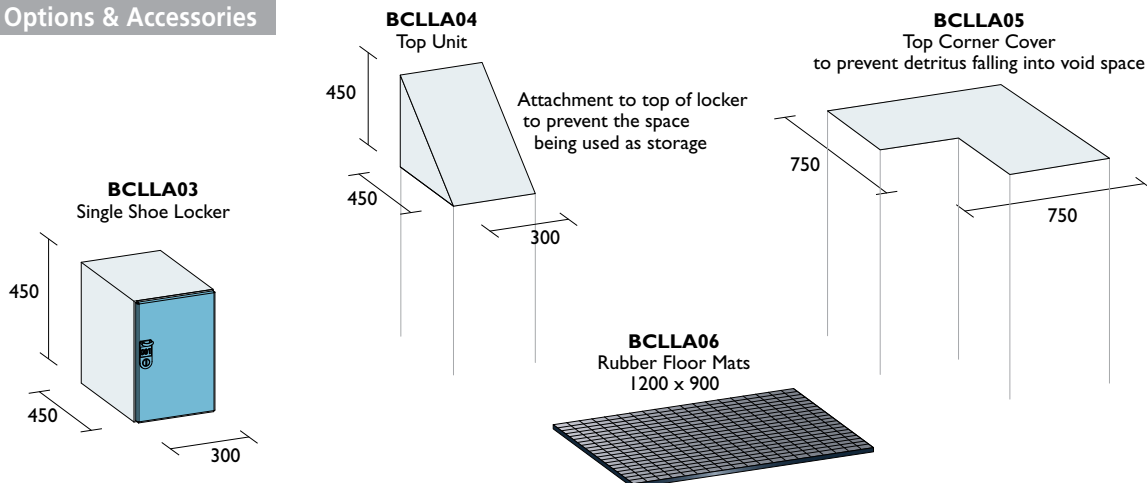
Mesh sides to shoe section provides good ventilation. Fan and ducting at locker bay ends can greatly increase air flow to aid in drying shoes and reducing odours.

Clothes Lockers

1300 780 450

Laminate Lockers

Options & Accessories



BCL321.54.800
Coin operated lock.
Left hand lock.

BCL234.54.801
Coin operated lock.
Right hand lock.



BCL231.98.001
Pin code lock with master pin system. Time limit option.
Choice of locker or can be assigned. Uses 3 x AAA batteries.

BCL231.98.011
Pin code lock with master pin system. No time limit option.
Choice of locker or can be assigned. Batteries not required.

BCL231.98.020
Pin and RFID with master pin system. Time limit option.
Choice of locker or can be assigned. Uses 3 x AAA Batteries



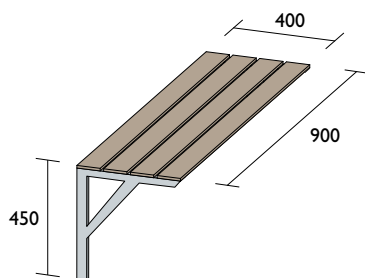
BCLPROGRAMMER
Remote programmer to program and control locks.

BCL231.98.210
Battery pack for
BCL231.98.001 / 020

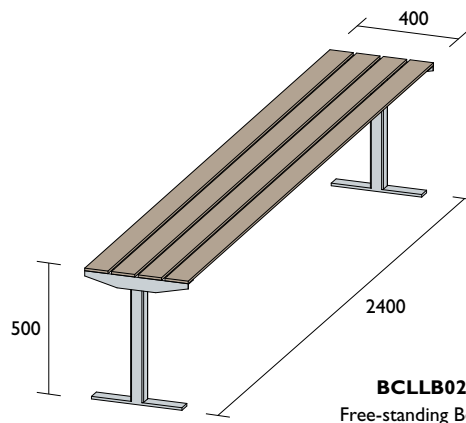
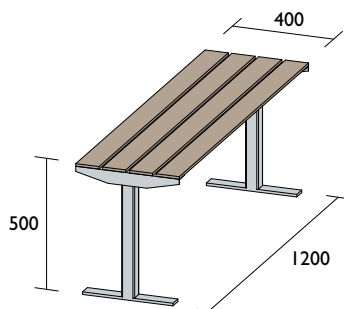
BCLFOB
Key fob for RFID card



BCLLB01B
Under-Locker Bench
Suits Lockers
BCLLS04



BCLLB01
Free-standing Bench



Clothes Lockers

Steel Lockers

BCL01
3 Door Locker Unit



Optional Number / name plate



Two keys supplied with every locker

Ventilation slots

Steel clothes lockers are supplied in kit form. They can be quickly snap-assembled – no tools required.

BCL02
6 Door Locker Unit



BCL03
9 Door Locker Unit

